

- Approval Condition :
- This Plan Sanction is issued subject to the following conditions :
- The sanction is accorded for:
 - Consisting of Block - A1 (COMMERCIAL AND HOSTEL BUILDING) Wing - A1-1 (COMMERCIAL AND HOSTEL BUILDING) Consisting of STILT, GF-2UF
 - The sanction is accorded for Small Shop A1 (COMMERCIAL AND HOSTEL BUILDING) with Hostel only. The use of the building shall not deviate to any other use.
 - Car Parking reserved in the plan should not be converted for any other purpose.
 - Development charges towards increasing the capacity of water supply, sanitary and power main has to be paid to BWSSB and BESCOM if any.
 - Necessary ducts for running telephone cables, cables at ground level for postal services & space for dumping garbage within the premises shall be provided.
 - The applicant shall construct temporary toilets for the use of construction workers and it should be demolished after the construction.
 - The applicant shall INSURE all workmen involved in the construction work against any accident / untoward incidents arising during the time of construction.
 - The applicant shall not stock any building materials / debris on footpaths or on roads or on drains. The debris shall be removed and transported to near by dumping yard.
 - The applicant / builder is prohibited from selling the setback area / open spaces and the common facility areas, which shall be accessible to all the tenants and occupants.
 - The applicant shall provide a space for locating the distribution transformers & associated equipment as per K.E.R.C. (ES&D) code leaving 3.00 mts. from the building within the premises.
 - The applicant shall provide a separate room preferably 4.50 x 3.65 m in the basement for installation of telecom equipment and also to make provisions for telecom services as per Bye-law No. 25.
 - The applicant shall maintain during construction such barricading as considered necessary to prevent dust, debris & other materials endangering the safety of people / structures etc. in & around the site.
 - Permission shall be obtained from forest department for cutting trees before the commencement of the work.
 - License and approved plans shall be posted in a conspicuous place of the licensed premises. The building license and the copies of sanctioned plans with specifications shall be mounted on a frame and displayed and they shall be made available during inspections.
 - If any owner / builder contravenes the provisions of Building Bye-laws and rules in force, the Architect / Engineer / Supervisor will be informed by the Authority in the first instance, warned in the second instance and cancel the registration if the same is repeated for the third time.
 - Technical personnel, applicant or owner as the case may be shall strictly adhere to the duties and responsibilities specified in Schedule - IV (Bye-law No. 31) under sub section 1(4) (b) to (k).
 - The building shall be constructed under the supervision of a registered structural engineer.
 - On completion of foundation or footings before erection of walls on the foundation and in the case of columnar structure before erecting the columns "COMMENCEMENT CERTIFICATE" shall be obtained.
 - Construction or reconstruction of the building should be completed before the expiry of five years from the date of issue of license & within one month after its completion shall apply for permission to occupy the building.
 - The building should not be occupied without obtaining "OCCUPANCY CERTIFICATE" from the competent authority.
 - Drinking water supplied by BWSSB should not be used for the construction activity of the building.
 - The applicant shall ensure that the Rain Water Harvesting Structures are provided & maintained in good repair for storage of water for non potable purposes or recharge of ground water at all times having a minimum total capacity mentioned in the Bye-law 32(a).
 - The building shall be designed and constructed adopting the norms prescribed in National Building Code and in the "Criteria for earthquake resistant design of structures" bearing No. IS 1883:2002 published by the Bureau of Indian Standards making the building resistant to earthquake.
 - The applicant should provide solar water heaters as per table 17 of Bye-law No. 29 for the building.
 - Facilities for physically handicapped persons prescribed in schedule XI (Bye laws - 31) of Building bye-laws 2003 shall be ensured.
 - The applicant shall provide at least one common toilet in the ground floor for the use of the visitors / servants / drivers and security men and also entrance shall be approached through a ramp for the Physically Handicapped persons together with the stepped entry.
 - The Occupancy Certificate will be considered only after ensuring that the provisions of conditions vide SI. No. 23, 24, 25 & 26 are provided in the building.
 - The applicant shall ensure that no inconvenience is caused to the neighbors in the vicinity of construction and that the construction activities shall stop before 10.00 PM and shall not resume the work earlier than 7.00 AM to avoid hindrance during late hours and early morning hours.
 - Garbage originating from Apartments / Commercial buildings shall be segregated into organic and inorganic waste and should be processed in the Recycling processing unit --- k g capacity installed at site for its re-use / disposal (Applicable for Residential units of 20 and above and 2000 Sqm and above built up area for Commercial buildings).
 - The structures with basements shall be designed for structural stability and safety to ensure for soil stabilization during the course of excavation for basements with safe design for retaining walls and super structure for the safety of the structure as well as neighboring property, public roads and footpaths, and besides ensuring safety of workman and general public by erecting safe barricades.

- Sufficient two wheeler parking shall be provided as per requirement.
- Traffic Management Plan shall be obtained from Traffic Management Consultant for all high rise structures which shall be approved from the Competent Authority if necessary.
- The Owner / Association of high-rise building shall obtain clearance certificate from Karnataka Fire and Emergency Department every Two years with due inspection by the department regarding working condition of Fire Safety Measures installed. The certificate should be produced to the Corporation and shall get the renewal of the permission issued once in Two years.
- The Owner / Association of high-rise building shall get the building inspected by empaneled agencies of the Karnataka Fire and Emergency Department to ensure that the equipment's installed are in good and workable condition, and an affidavit to that effect shall be submitted to the Corporation and Fire Force Department every year.
- The Owner / Association of high-rise building shall obtain clearance certificate from the Electrical Inspectorate every Two years with due inspection by the Department regarding working condition of Electrical installation / Lifts etc. The certificate should be produced to the BMMP and shall get the renewal of the permission issued that once in Two years.
- The Owner / Association of the high-rise building shall conduct two mock - trials in the building - one before the onset of summer and another during the summer and assure complete safety in respect of fire hazards.
- The Builder / Contractor / Professional responsible for supervision of work shall not shirk his material and structurally deviate the construction from the sanctioned plan, without previous approval of the authority. They shall explain to the owner as about the risk involved in contravention of the provisions of the Act, Rules, Bye-laws, Zoning Regulations, Standing Orders and Policy Orders of the BMMP.
- The construction or reconstruction of a building shall be commenced within a period of two (2) years from date of issue of license. Before the expiry of two years, the Owner / Developer shall give intimation to BMMP (Sanctioning Authority) of the intention to start work in the form prescribed in Schedule VI. Further, the Owner / Developer shall give intimation on completion of the foundation or footing of walls / columns of the foundation. Otherwise the plan sanction deemed cancelled.
- In case of Development plan, Parks and Open Spaces area and Surface Parking area shall be earmarked and reserved for the use of the tenants and occupants of the building.
- All other conditions and conditions mentioned in the work order issued by the Bangalore Development Authority while approving the Development Plan for the project should be strictly adhered to.
- The Applicant / Owner / Developer shall abide by the collection of solid waste and its segregation as per solid waste management bye-law 2016.
- The applicant/owner/developer shall abide by sustainable construction and demolition waste management as per solid waste management bye-law 2016.
- The Applicant / Owners / Developers shall make necessary provision to charge electrical vehicles.
- The Applicant / Owner / Developer shall plant one tree for a) sites measuring 180 Sqm up to 240 Sqm b) minimum of two trees for sites measuring more than 240 Sqm. One tree for every 240 Sqm of the FAR area as part thereof in case of Apartment / group housing / multi-dwelling unit/development plan.
- In case of any false information, misrepresentation of facts, or pending court cases, the plan sanction is deemed cancelled.
- Also see, building licence for special conditions, if any.
- Special Condition as per Labour Department of Government of Karnataka vide ADDENDUM (Hosadaag Hoodke) Letter No. LD/95/LET/2013, dated: 01-04-2013 :

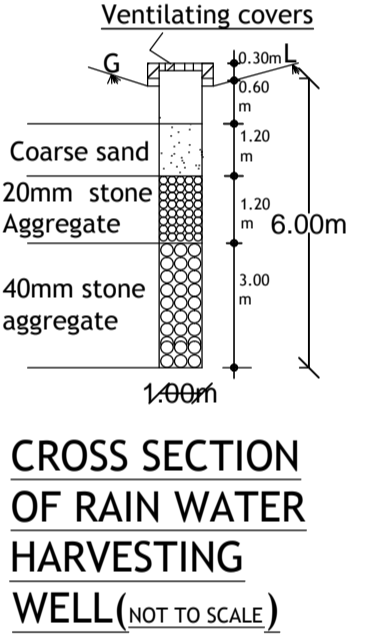
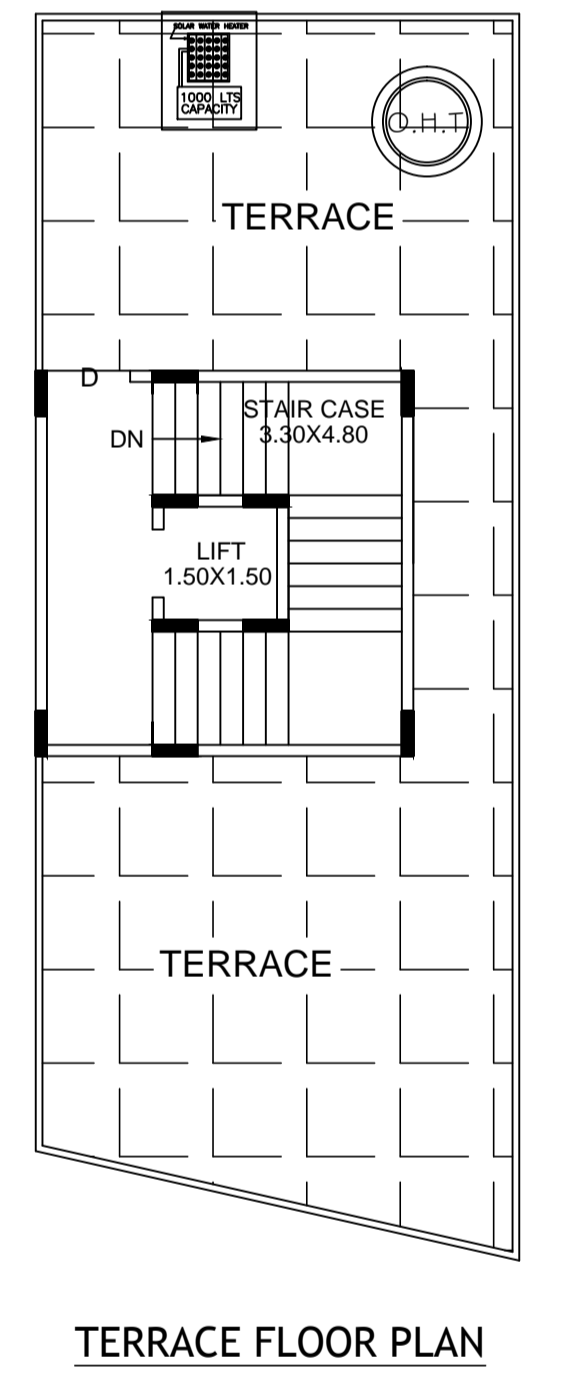
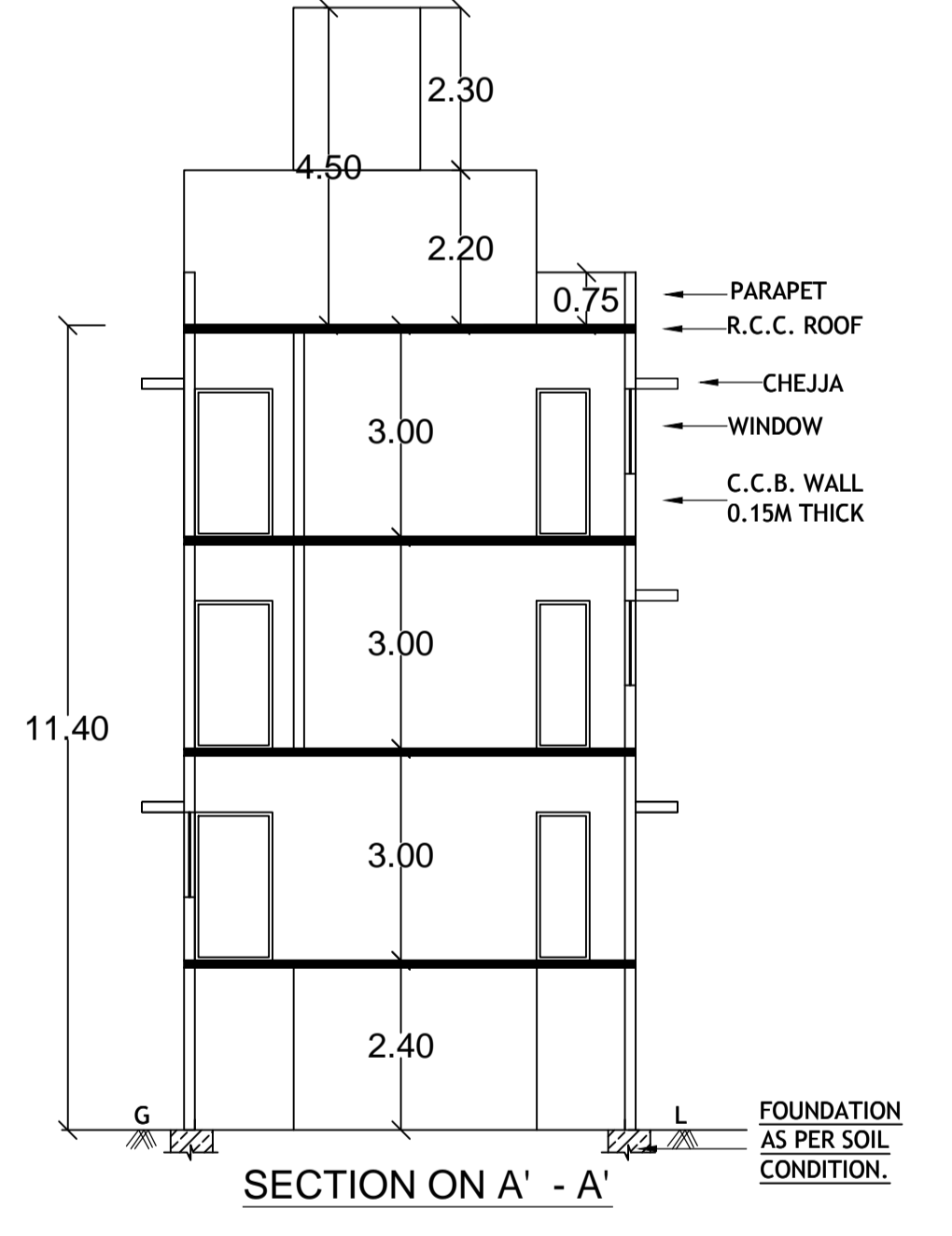
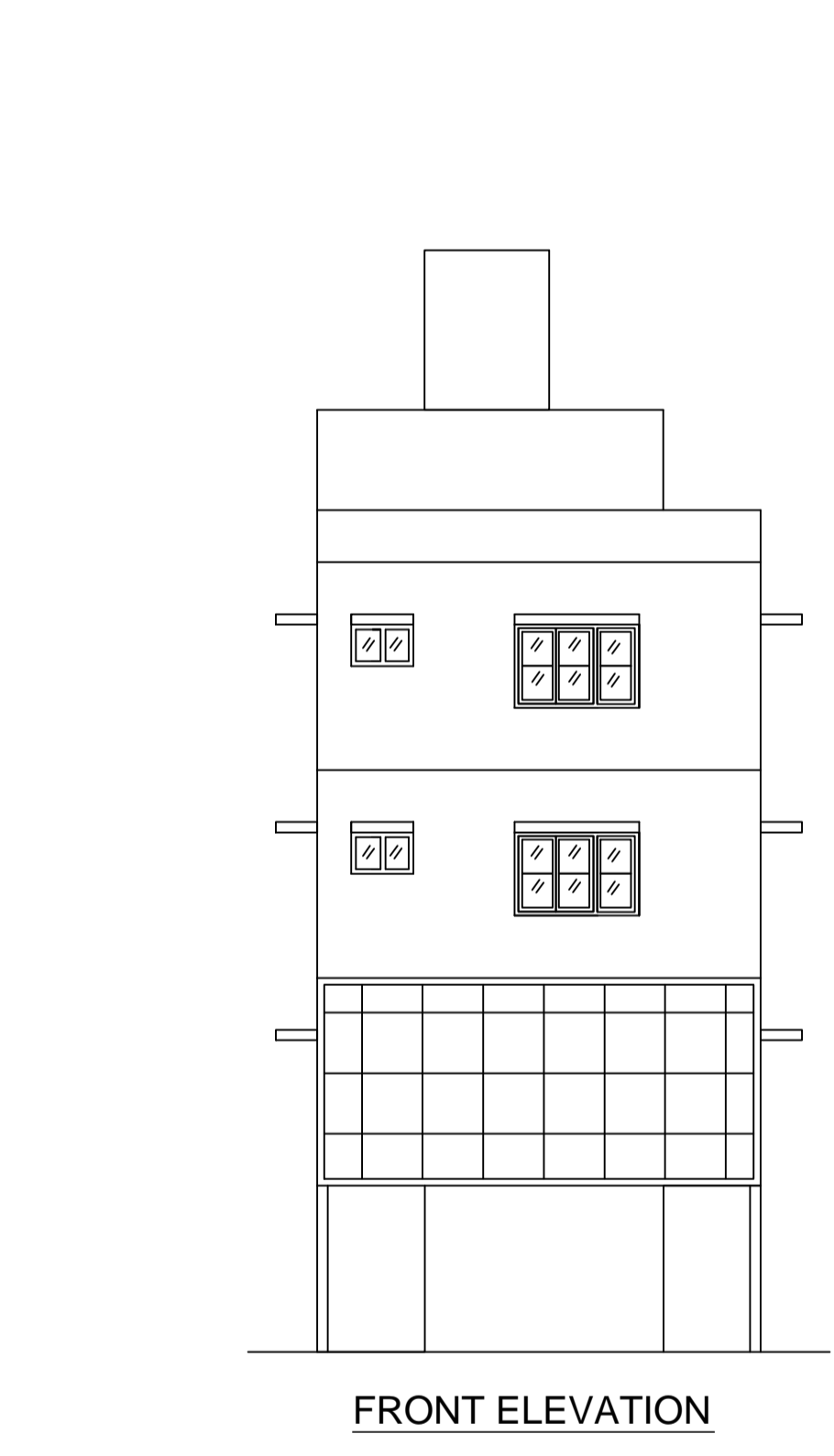
Color Notes

COLOR INDEX	
PLOT BOUNDARY	---
ABUTTING ROAD	---
PROPOSED WORK (COVERAGE AREA)	---
EXISTING (To be retained)	---
EXISTING (To be demolished)	---

AREA STATEMENT (BMMP)	VERSION NO. 1.0.4	VERSION DATE: 31/08/2021
PROJECT DETAIL:		
Authority: BMMP	Plot Use: Commercial	
Inward No: PRJ/745/21-22	Plot SubUse: Small Shop	
Application Type: General	Land Use Zone: Commercial (Central)	
Proposal Type: Building Permission	Plot Sub Plot No: 87/1	
Nature of Sanction: NEW	City Survey No: 8	
Location: RING4	PID No. (As per Khata Extract): 28-44-87/1	
Building Line Specified as per Z.R. NA	Locality / Street of the property: SITE NO-87/1, CUBBONPET MAIN ROAD, CHICKPET, WARD NO-109, BANGALORE. PID NO- 28-44-87/1	
Zone: West		
Ward: Ward-109		
Haraming District: 101-Patta		
AREA DETAILS:		SQ.MT.
AREA OF PLOT (Minimum)	(A)	180.03
NET AREA OF PLOT	(A-Deductions)	180.03
COVERAGE CHECK		
Permissible Coverage area (75.00 %)		135.02
Proposed Coverage Area (56.03 %)		100.87
Achieved Net coverage area (56.03 %)		100.87
Balance coverage area left (18.97 %)		34.15
FAR CHECK		
Permissible F.A.R. as per zoning regulation 2015 (2.50)		450.08
Additional F.A.R. within Ring I and II (for amalgamated plot -)		0.00
Allowable TDR Area (60% of Perm.FAR)		0.00
Premium FAR for Plot within Impact Zone (-)		0.00
Total Perm. FAR area (2.50)		450.08
Residential FAR (83.68%)		215.79
Commercial FAR (16.32%)		42.08
Proposed FAR Area		257.88
Achieved Net FAR Area (1.43)		257.88
Balance FAR Area (1.07)		192.20
BUILT UP AREA CHECK		
Proposed BuiltUp Area		431.04
Achieved BuiltUp Area		431.04

Approval Date :

- Registration of Applicant / Builder / Owner / Contractor and the construction workers working in the construction site with the Karnataka Building and Other Construction workers Welfare Board should be strictly adhered to.
 - The Applicant / Builder / Owner / Contractor should submit the Registration of establishment and list of construction workers engaged at the time of issue of Commencement Certificate. A copy of the same shall also be submitted to the concerned local Engineer in order to inspect the establishment and ensure the registration of establishment and workers working at construction site or work place.
 - The Applicant / Builder / Owner / Contractor shall also inform the changes if any of the list of workers engaged by him.
 - At any point of time No Applicant / Builder / Owner / Contractor shall engage a construction worker in his site or work place who is not registered with the Karnataka Building and Other Construction workers Welfare Board.
- Note :
- Accommodation shall be provided for setting up of schools for imparting education to the children of construction workers in the labour camps / construction sites.
 - List of children of workers shall be furnished by the builder / contractor to the Labour Department which is mandatory.
 - Employment of child labour in the construction activities strictly prohibited.
 - Obtaining NOC from the Labour Department before commencing the construction work is a must.
 - BMMP will not be responsible for any dispute that may arise in respect of property in question.
 - In case if the documents submitted in respect of property in question is found to be false or fabricated, the plan sanctioned stands cancelled automatically and legal action will be initiated.



FAR & Tenement Details

Block	No. of Same Bldg	Total Built Up Area (Sq.mt)	Deductions (Area in Sq.mt.)				Proposed FAR Area (Sq.mt.)		Total FAR Area (Sq.mt.)	Carpet Area other than Tenement
			Stair/Case	Lift	Lift Machine	Parking	Resi.	Commercial		
A1 (COMMERCIAL AND HOSTEL BUILDING)	1	431.04	75.88	9.00	2.25	86.02	215.80	42.08	257.89	253.60
Grand Total:	1	431.04	75.88	9.00	2.25	86.02	215.80	42.08	257.89	253.60

Required Parking (Table 7a)

Block Name	Type	SubUse	Area (Sq.mt)	Units		Car	
				Reqd.	Prop.	Reqd./Unit	Prop.
A1 (COMMERCIAL AND HOSTEL BUILDING)	Residential	Hostel	>0	10	6.00	1	1
A1 (COMMERCIAL AND HOSTEL BUILDING)	Commercial	Small Shop	>0	50	42.08	1	1
Total:			-	-	-	2	2

Parking Check (Table 7b)

Vehicle Type	Reqd.		Achieved	
	No.	Area (Sq.mt)	No.	Area (Sq.mt)
Car	2	27.50	2	27.50
Total Car	2	27.50	2	27.50
TwoWheeler	-	27.50	0	0.00
Other Parking	-	-	-	58.52
Total		55.00		86.02

Block :A1 (COMMERCIAL AND HOSTEL BUILDING)

Floor Name	Total Built Up Area (Sq.mt)	Deductions (Area in Sq.mt.)				Proposed FAR Area (Sq.mt.)		Total FAR Area (Sq.mt.)	Carpet Area other than Tenement
		Stair/Case	Lift	Lift Machine	Parking	Resi.	Commercial		
Terrace Floor	27.73	25.48	0.00	2.25	0.00	0.00	0.00	0.00	
Second Floor	100.87	12.60	2.25	0.00	0.00	86.02	0.00	86.02	
First Floor	100.87	12.60	2.25	0.00	0.00	86.02	0.00	86.02	
Ground Floor	100.70	12.60	2.25	0.00	0.00	43.76	42.08	85.85	
SBT Floor	100.87	12.60	2.25	0.00	86.02	0.00	0.00	0.00	
Total:	431.04	75.88	9.00	2.25	86.02	215.80	42.08	257.89	
Total Number of Same Blocks	1								
Total:	431.04	75.88	9.00	2.25	86.02	215.80	42.08	257.89	

SCHEDULE OF JOINERY:

BLOCK NAME	NAME	LENGTH	HEIGHT	NOS
A1 (COMMERCIAL AND HOSTEL BUILDING)	D2	0.75	2.10	08
A1 (COMMERCIAL AND HOSTEL BUILDING)	D	1.10	2.10	08

SCHEDULE OF JOINERY:

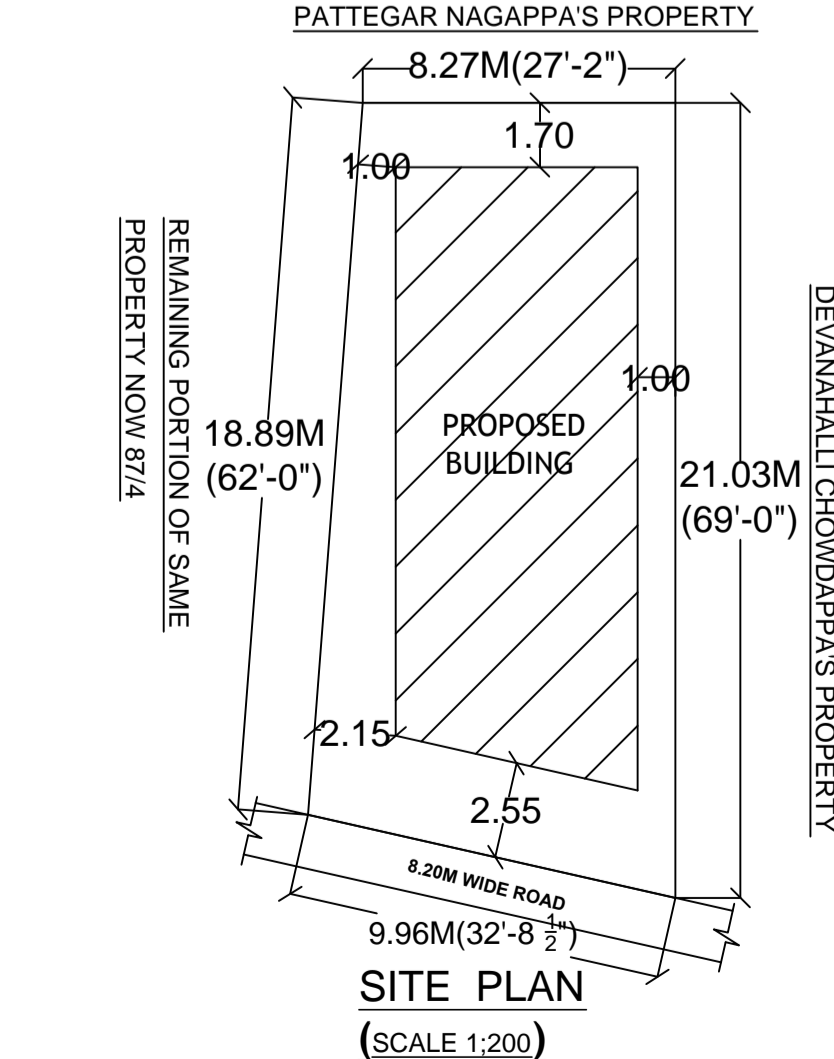
BLOCK NAME	NAME	LENGTH	HEIGHT	NOS
A1 (COMMERCIAL AND HOSTEL BUILDING)	W2	0.90	1.20	08
A1 (COMMERCIAL AND HOSTEL BUILDING)	W	1.80	1.20	18

UnitBUA Table for Block :A1 (COMMERCIAL AND HOSTEL BUILDING)

FLOOR	Name	UnitBUA Type	UnitBUA Area	Carpet Area	No. of Rooms	No. of Tenement

Block USE/SUBUSE Details

Block Name	Block Use	Block SubUse	Block Structure	Block Land Use Category
A1 (COMMERCIAL AND HOSTEL BUILDING)	Commercial	Small Shop	Bldg upto 11.5 mt. Ht.	C1



OWNER / GPA HOLDER'S SIGNATURE

OWNER'S ADDRESS WITH ID NUMBER & CONTACT NUMBER :
NAVEEN KUMAR V SITE NO-87/1, CUBBONPET MAIN ROAD, CHICKPET, WARD NO-109, BANGALORE. PID NO- 28-44-87/1

ARCHITECT/ENGINEER /SUPERVISOR 'S SIGNATURE
CHANDRASHEKAR P.K #231/1 1st FLOOR 9th MAIN ROAD, FREEDOM FIGHTER LAY, BANGALORE-58
E-3721/2012-13

PROJECT TITLE :
PLAN SHOWING THE PROPOSED COMMERCIAL & HOSTEL BUILDING AT SITE NO-87/1, CUBBONPET MAIN ROAD, CHICKPET, WARD NO-109, BANGALORE. PID NO- 28-44-87/1

DRAWING TITLE : 78972465-27-11-202106-50-48S_SNAVEEN KUMAR V 2 - A1 (COMMERCIAL AND HOSTEL BUILDING) WITH STILT, GF-2UF

SHEET NO : 1

SANCTIONING AUTHORITY :

This approval of Building plan/ Modified plan is valid for two years from the date of issue of plan and building license by the competent authority.



WEST